



608437  
extendable handle

### SKIMMING SPATULA-RULES

- flexible stainless steel blades
- lighter weight than aluminium rules
- rounded edges & tapered blade
- h frame or roll grip frame
- for finishing & smoothing
- walls & ceilings
- plasters & special finishes

The spatula-rules are produced with a flexible stainless steel blade and h frame moulded hand grip

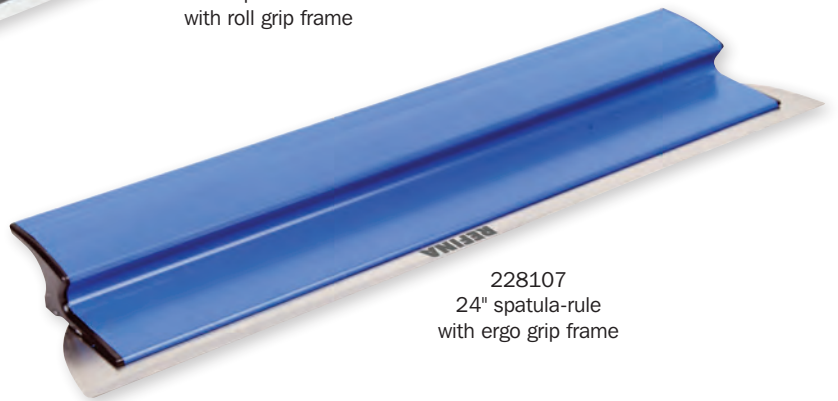
The smaller skimming spatula-rules are used for jointing, taping and smoothing

The larger skimming spatula-rules are for finishing large areas and ceilings



608432  
clip on handle  
sold separately

228098  
16" spatula-rule  
with roll grip frame



228107  
24" spatula-rule  
with ergo grip frame

### SPATULA-RULES

#### SPATULA-RULES, lightweight plastic roll grip frame, flexible stainless steel blade for skimming - rust free

Stock no	Description	Size	Thickness	£ ex VAT
228090	spatula-rule, flexible blade 5½"	140x100mm	0.4mm	20.00
228092	spatula-rule, flexible blade 7"	180x100mm	0.4mm	22.00
228094	spatula-rule, flexible blade 9½"	240x100mm	0.4mm	24.00
228096	spatula-rule, flexible blade 12"	300x100mm	0.4mm	28.00
228098	spatula-rule, flexible blade 16"	400x100mm	0.4mm	32.00
228100	spatula-rule, flexible blade 20"	500x100mm	0.4mm	36.00
228102	spatula-rule, flexible blade 26"	650x100mm	0.4mm	46.00
228088	spatula-rule, flexible blade 36"	900x100mm	0.4mm	56.00

#### HANDLES, clip on adjustable angle handle for roll grip

Stock no	Description	Size	£ ex VAT
608432	clip on handle		9.00
608433	aluminium pole	1.00m	15.00
608434	aluminium extension pole	1.00-2.00m	20.00

#### SPATULA-RULES, medium weight rigid ergo grip plastic frame, flexible stainless steel blade for skimming - rust free

Stock no	Description	Size	Thickness	£ ex VAT
228106	spatula-rule, flexible blade 18"	450x100mm	0.3mm	39.00
228107	spatula-rule, flexible blade 24"	600x100mm	0.3mm	49.00
228108	spatula-rule, flexible blade 32"	800x100mm	0.3mm	59.00
228109	spatula-rule, flexible blade 40"	1000x100cm	0.3mm	75.00
228110	spatula-rule, flexible blade 48"	1200x100cm	0.3mm	79.00

#### ALLOY HANDLE, quick clip attachment for ergo grip spatula-rule

Stock no	Description	Length	£ ex VAT
608439	aluminium pole	1.00m	39.00
608437	aluminium extension pole	1.00-2.00m	49.00